

ROOM FINISH SCHEDULE

ROOM #	ROOM TITLE	FLOOR	BASE	TYP.	WALLS				CEILING		NOTES:
					NORTH	EAST	SOUTH	WEST	MAT'L	HEIGHT	
J118	WAREHOUSE	11	21	31	--	--	--	--	41		

ROOM FINISH SCHEDULE LEGEND & NOTES:

FLOOR
11 SEALED CONCRETE

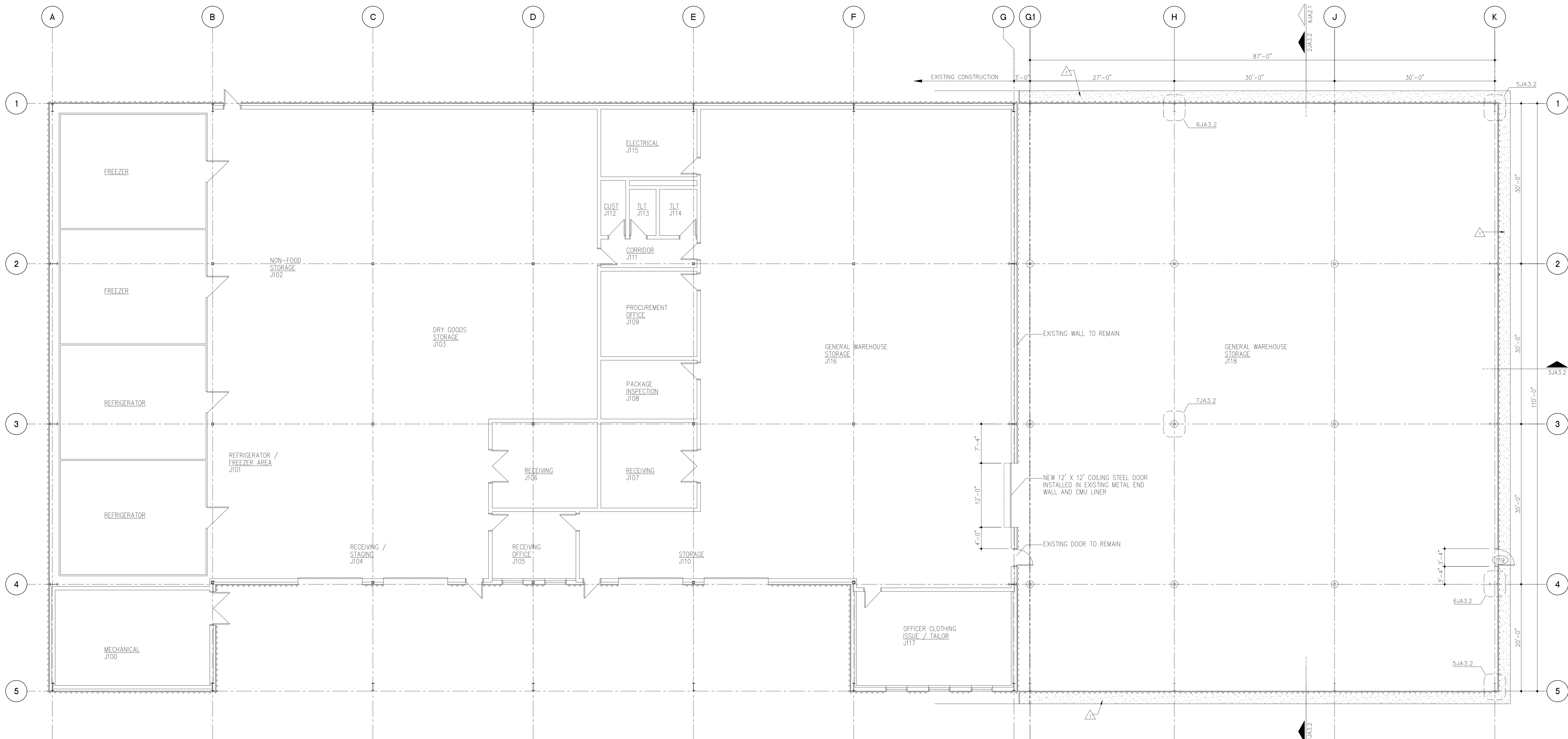
BASE
21 NONE REQUIRED

WALLS
31 PAINT (BY OWNER)

CEILING
41 EXPOSED STRUCTURE (UNPAINTED)

PLAN NOTES

△ 24" w. x 4" th. concrete mowstrip with 6x6 - W1.4xW1.4 mesh. Provide expansion joints at 30'-0" O.C. and control joints @ 10'-0" O.C.



NOTE: REMOVE CONCRETE MOW STRIP FROM AREA OF NEW WAREHOUSE ADDITION

1 FLOOR PLAN
1/8" = 1'-0" NORTH



REVISED BY: K. MORGAN
12/12/17
KANSAS DEPT. OF CORRECTIONS
714 SW JACKSON, STE. 300
TOPEKA, KANSAS 66603

AN ORIGINAL RECORD COPY OF THIS DRAWING IS ON FILE AND AVAILABLE FOR REVIEW AT THE OFFICE OF THE DIVISION OF FACILITIES MANAGEMENT

Date
November 3, 2009
Revised Date
Project Number

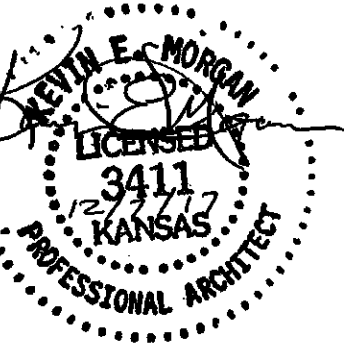
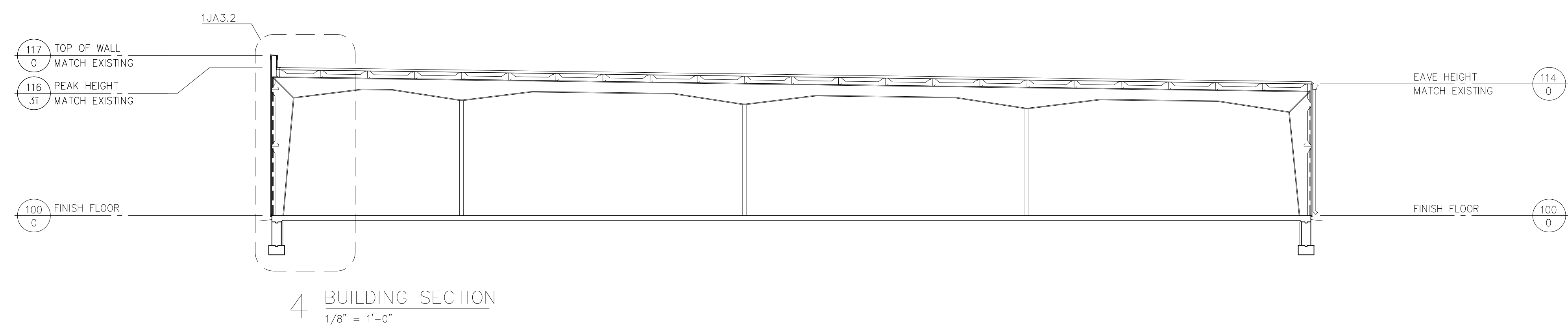
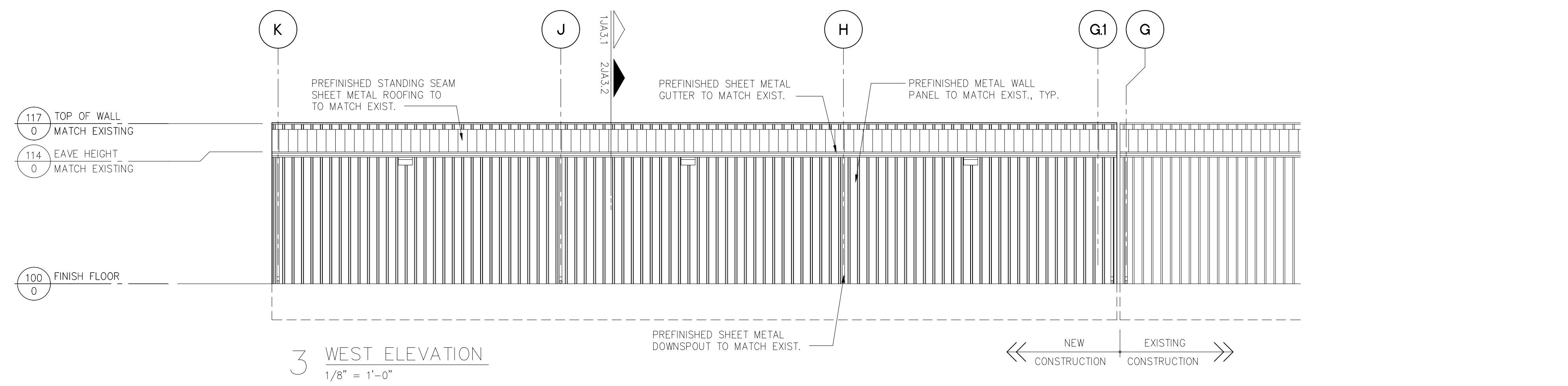
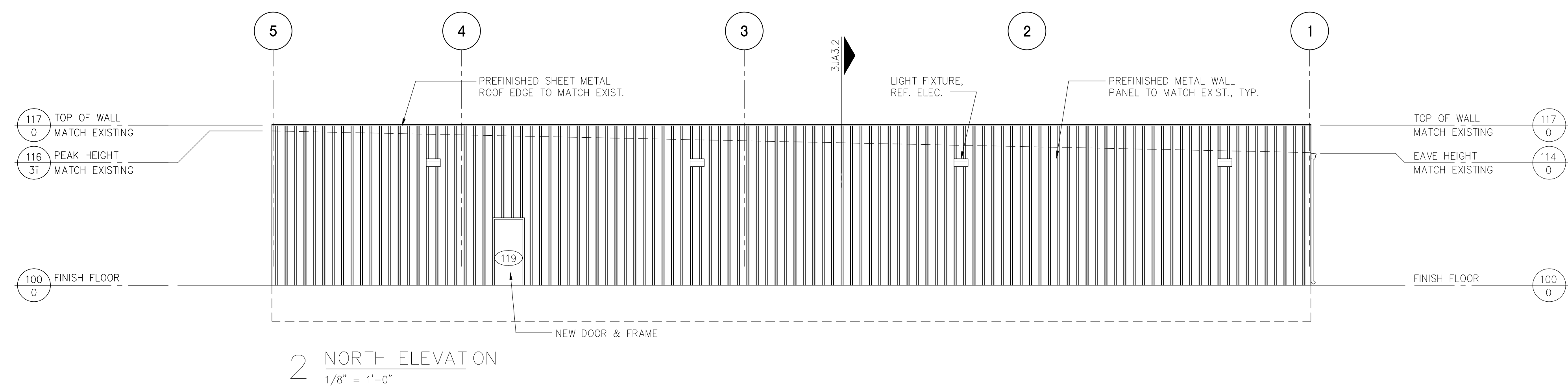
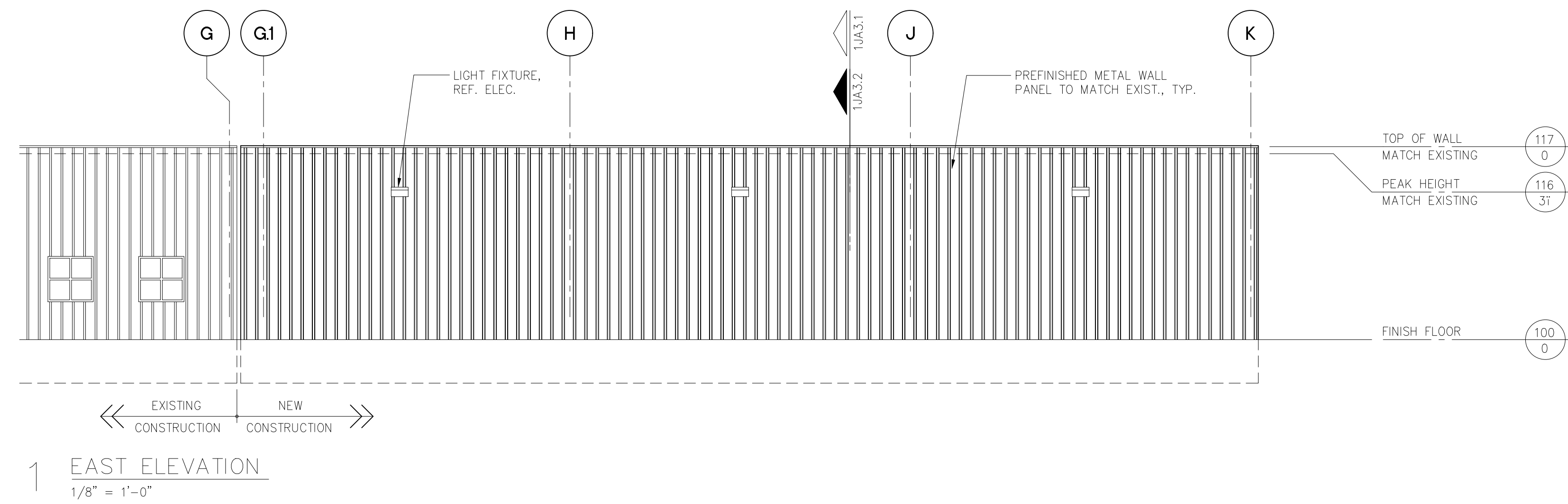
DEPARTMENT OF ADMINISTRATION
DIVISION OF FACILITIES & PROPERTY MANAGEMENT
DESIGN, CONSTRUCTION & COMPLIANCE
709 SW JACKSON, STE. 1050
TOPEKA, KANSAS 66603
TELEPHONE: 785-798-8899

KANSAS DEPARTMENT OF CORRECTIONS
WAREHOUSE ADDITION
EL DORADO CORRECTIONAL FACILITY
El Dorado, KS
EDCF WAREHOUSE BLDG. J - 195600-00018
DRAWN BY: CHECKED BY: REV:
DATE:

SHEET CONTENTS
EDCF WAREHOUSE ADDITION-
PHASE
FLOOR PLAN

DFM # A-013429

JA1.1
ORIGINAL CONTRACT DOCUMENTS



REVISED BY: K. MORGAN
12/12/17
KANSAS DEPT. OF CORRECTIONS
714 SW JACKSON, STE. 300
TOPEKA, KANSAS 66603

AN ORIGINAL RECORD COPY OF THIS DRAWING IS ON FILE AND AVAILABLE FOR REVIEW AT THE OFFICE OF THE DIVISION OF FACILITIES MANAGEMENT

Date: November 3, 2009

Revised Date:

Project Number:

DEPARTMENT OF ADMINISTRATION
DIVISION OF FACILITIES & PROPERTY MANAGEMENT
DESIGN, CONSTRUCTION & COMPLIANCE
700 SW JACKSON, STE. 1000
TOPEKA, KANSAS 66603
TELEPHONE: 785-798-8899

KANSAS DEPARTMENT OF CORRECTIONS
WAREHOUSE ADDITION
EL DORADO CORRECTIONAL FACILITY
El Dorado, KS
EDCF WAREHOUSE BLDG. J - 19500-00018

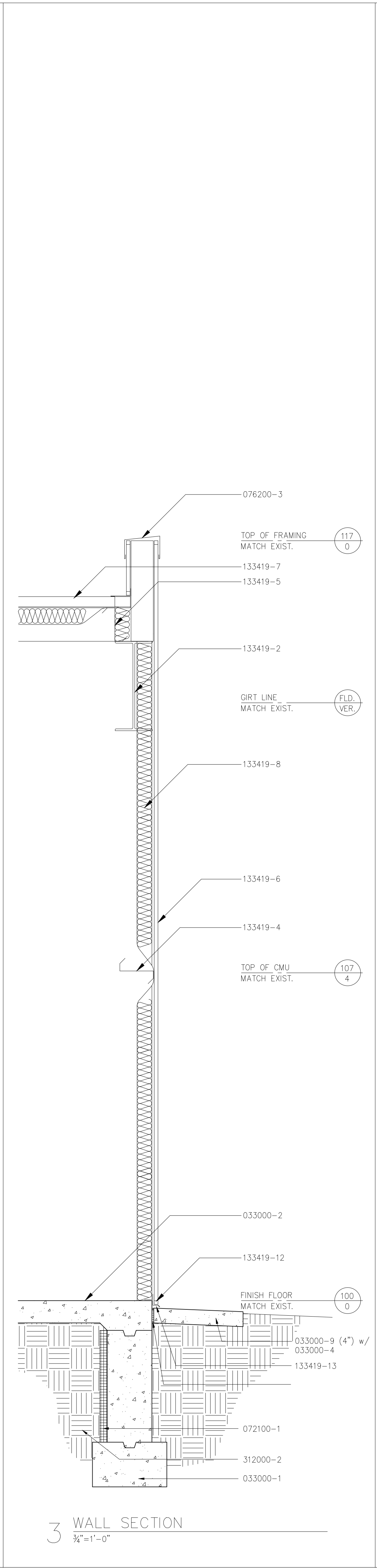
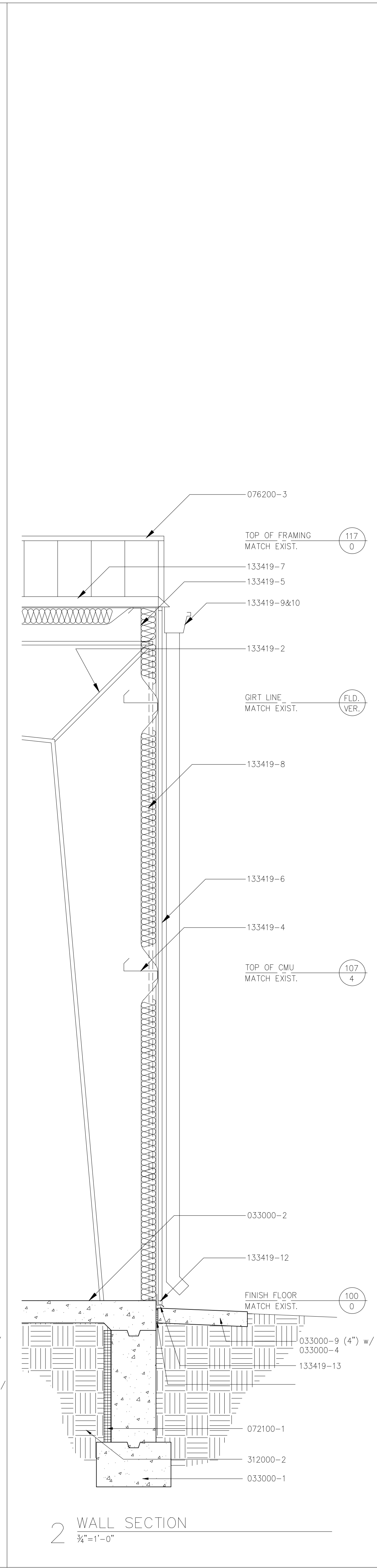
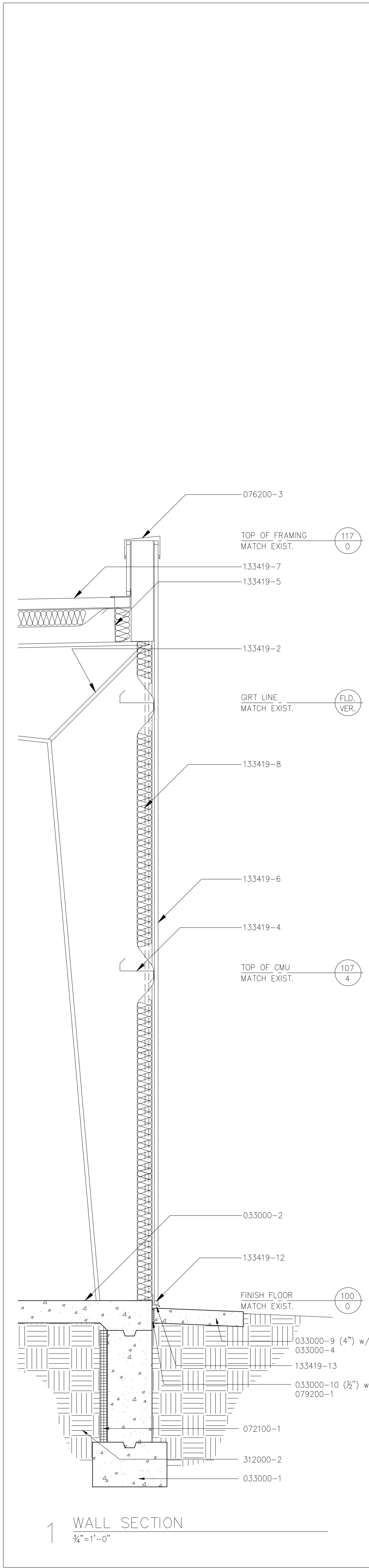
DATE: DRAWN BY: CHECKED BY: REV:

SHEET CONTENTS
EDCF WAREHOUSE ADDITION - PHASE 1
ELEVATIONS

DFM # A-013429

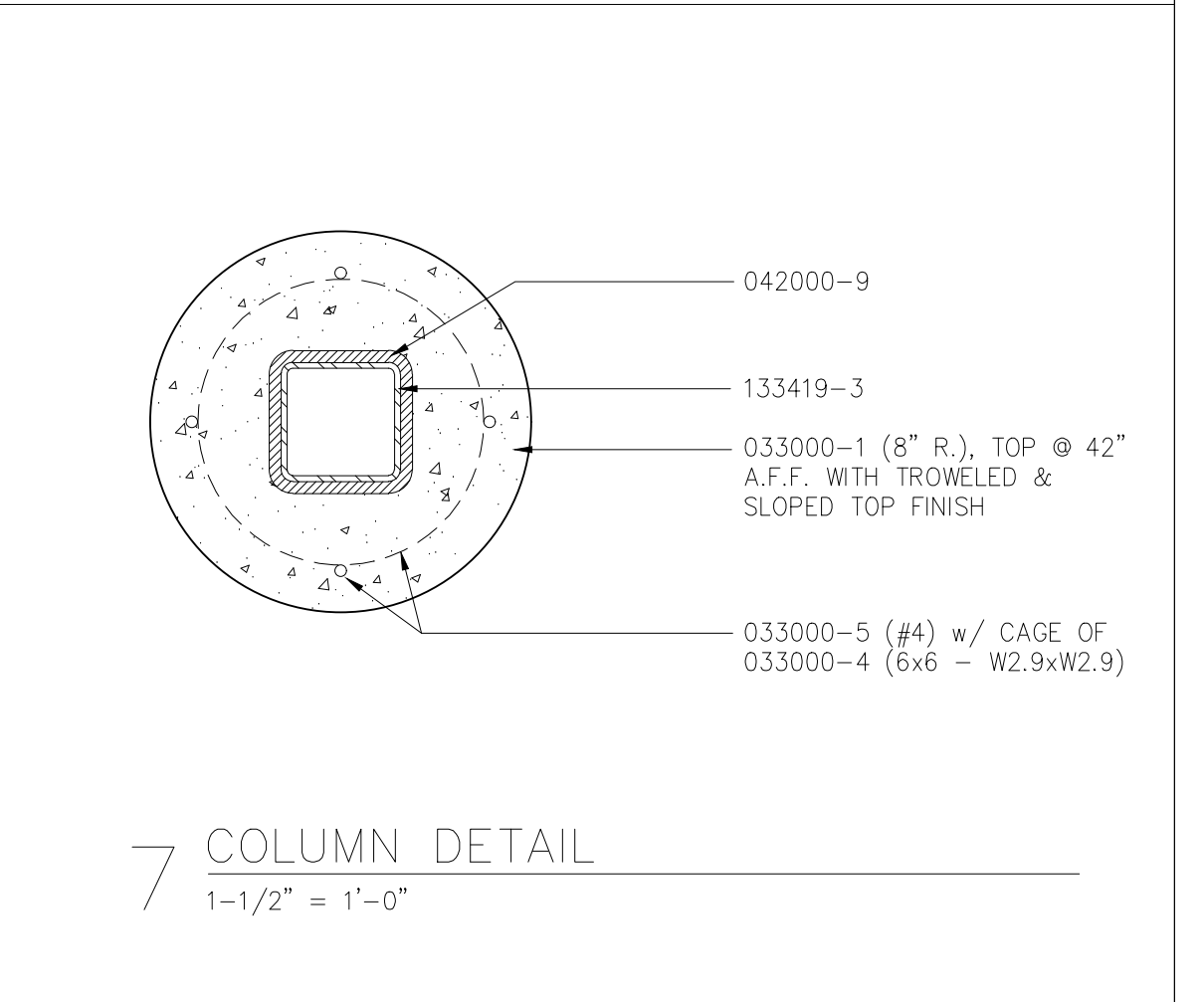
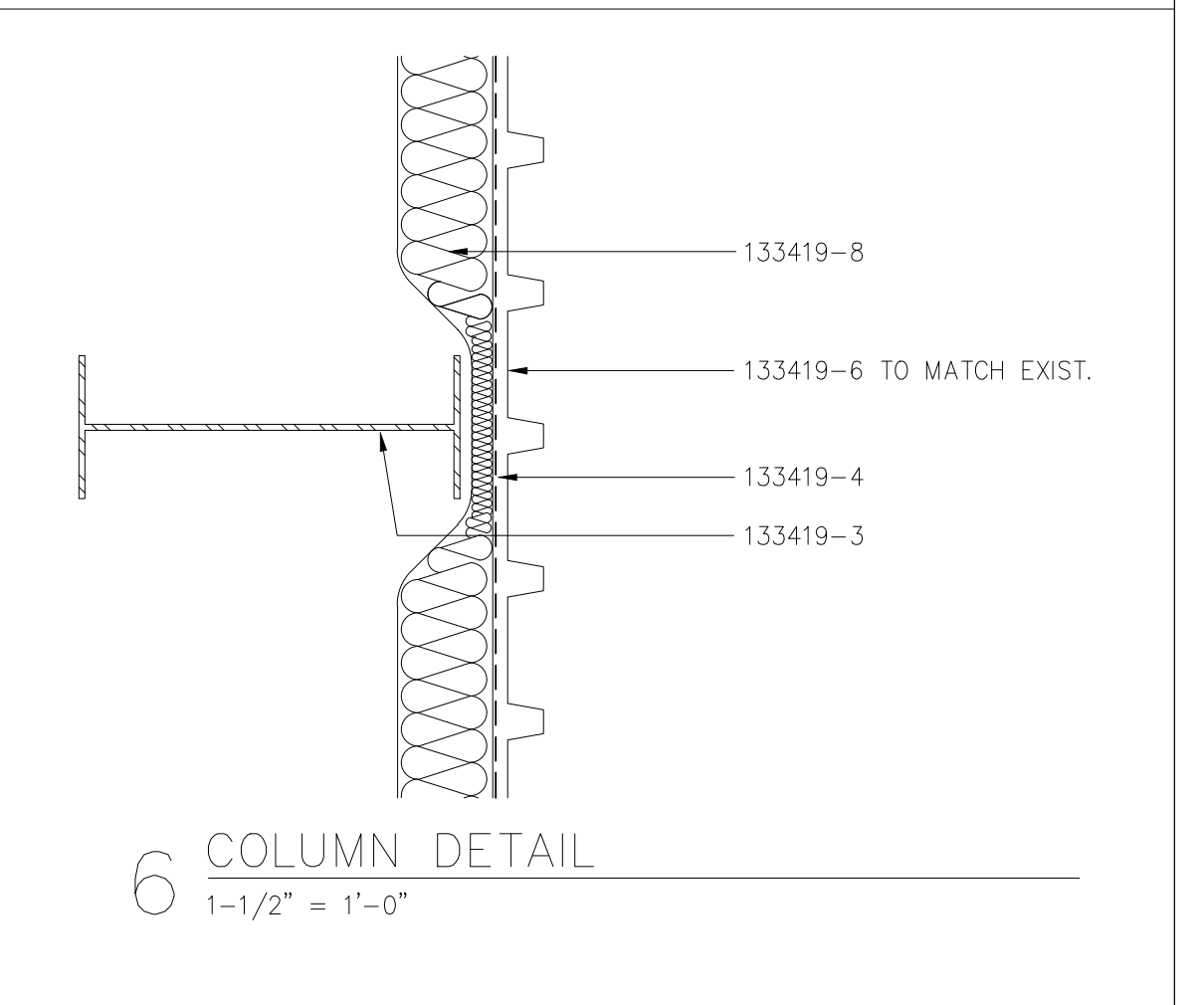
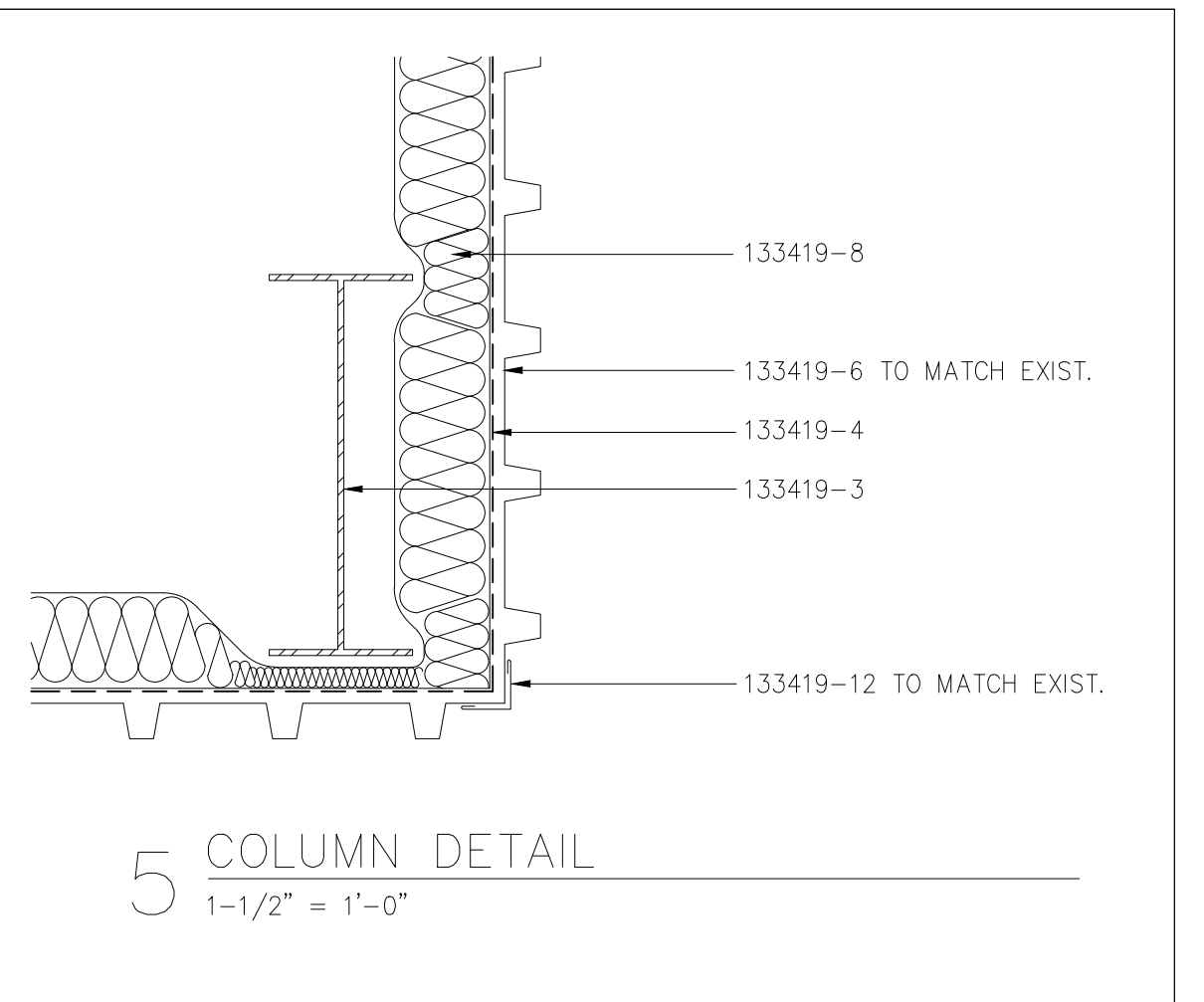
JA2.1

ORIGINAL CONTRACT DOCUMENTS



WALL SECTIONS

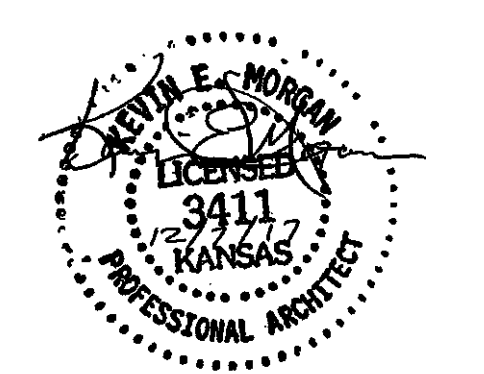
NOTE: CONTRACTOR SHALL HAVE A LICENSED STRUCTURAL ENGINEER DESIGN THE FOUNDATION AND CONCRETE SLAB TO CONFORM TO THE STRUCTURAL REQUIREMENTS OF THE METAL BUILDING PROVIDED. DESIGN SOIL CAPACITY = 2000 PSF. SUBMIT SHOP DRAWINGS WITH THE ENGINEER'S PROFESSIONAL SEAL.



KEYNOTES:

Note: Keynotes are drawn from a master list & may not be sequentially numbered. Sizes (Ex: 2x4) or other info, following keynote on drawings indicates criteria for those materials/specifications which may differ from std. material specified.

033000	-1 Concrete Structure	-1 Aluminum Entrance Door	
	-2 Concrete Floor Slab	-2 Aluminum Entrance Frame	
	-3 Vapor Barrier	-3 Aluminum Window	
	-4 Welded Wire Fabric	-4 Aluminum Sill	
	-5 Steel Reinforcing Bar	-5 Insect Screen	
	-6 Rustication Joint	-6 Jamb Anchor	
	-7 Waterslap	-7 Aluminum Cover	
	-8 Dovetail Anchor	088000	-1 Oozing (as scheduled)
	-9 Sidelap	083000	-1 Mirrors
	-10 Preformed Joint Filler	089631	-1 Security Glazing (as scheduled)
033300	-1 Architectural Concrete	092216	-1 Steel Stud (")
033300	-1 Concrete Topping		-2 Steel Stud Runner (")
042000	-1 Face Brick		-3 Furring Channel
	-2 Concrete Masonry Unit - Normal Weight (")	092400	-1 Portland Cement Plaster
	-3 Concrete Masonry Unit - Lightweight (")		-2 Metal Lath
	-4 Wire Reinforcing		-3 Metal Suspension System
	-5 Metal Tie/Anchor		-4 Casing Brackets / Central Jamb
	-6 Through Wall Flashing		-5 Channel Furring
	-7 Control Joint Strip		-6 Main Runners
	-8 Bond Beam (")		-7 Hangers
	-9 Compressible Filler	092900	-1 Gypsum Board (")
	-10 Weep Hole		-2 Fire Rated Gypsum Board (")
	-11 Cavity Drainage Material		-3 Cementitious Tie Backer Panel
051200	-12 Termination Bar		-4 Metal Suspension System
	-13 Steel Column		-5 Acoustical Ceiling
	-14 Steel Tube		-6 Acoustical Insulation (")
	-15 Steel Channel		-7 Metal Edge Trim
052100	-1 Steel Joist		-8 Auxiliary Support Framing
	-2 Joist - Extended End		-9 Metal Control Joint
	-3 Joist - Ceiling Extension	053100	-10 High Impact Gypsum Board
	-4 Metal Decking		-11 Concrete Finer Finishing Compound
053100	-1 Steel Composite Decking		-12 Acoustical Panel (") (F = Fire Rated)
054000	-1 Flexible Closure Strips		-13 Ceiling Suspension System
	-2 Structural Steel Studs		-14 Edge Wood Trim
	-3 Structural Steel Joists		-15 Auxiliary Support Framing
	-4 "C" Closure	055000	-1 Steel Ladder
055000	-1 Steel Angle		-2 Steel Ladder
	-2 Steel Channel		-3 Steel Ladder
	-3 Steel Lintel		-4 Steel Ladder
	-4 Steel Pipe		-5 Steel Ladder
	-5 Steel Tube		-6 Steel Ladder
	-6 Steel Plate		-7 Steel Ladder
	-7 Steel Ladder		-8 Steel Ladder
	-8 Steel Ladder		-9 Steel Ladder
	-9 Steel Ladder		-10 Steel Ladder
	-10 Steel Ladder		-11 Steel Ladder
055100	-1 Steel Stars		-12 Steel Ladder
	-2 Steel Star Strigger		-13 Steel Ladder
	-3 Steel Embed Plate		-14 Steel Ladder
055213	-1 Steel Pipe Hanger		-15 Steel Ladder
	-2 Steel Pipe Guadral		-16 Steel Ladder
	-3 Steel Handrail Wall Bracket		-17 Steel Ladder
	-4 Steel Grating		-18 Steel Ladder
055300	-1 Steel Frame		-19 Steel Ladder
	-2 Aluminum Grating		-20 Steel Ladder
055963	-1 Detention Enclosures		-21 Steel Ladder
061000	-1 2x Wood Nailer (")		-22 Steel Ladder
	-2 2x Wood Blocking (")		-23 Steel Ladder
	-3 1x Wood Continuous (")		-24 Steel Ladder
	-4 Plywood (")		-25 Steel Ladder
	-5 #10 Fast		-26 Steel Ladder
	-6 Oriented Strand Board (")		-27 Steel Ladder
061600	-1 Sheathing		-28 Steel Ladder
	-2 Fiberglass Sheathing		-29 Steel Ladder
	-3 #10 Fast		-30 Steel Ladder
	-4 Plywood (")		-31 Steel Ladder
062013	-1 Exterior Finish Carpentry		-32 Steel Ladder
064023	-1 Interior Architectural Woodwork		-33 Steel Ladder
	-2 High Pressure Laminate		-34 Steel Ladder
	-3 Cabinet Liner Laminate		-35 Steel Ladder
	-4 Particle Board		-36 Steel Ladder
	-5 Plywood		-37 Steel Ladder
	-6 3mm Edge Molding		-38 Steel Ladder
	-7 Solid Wood Blocking		-39 Steel Ladder
	-8 Hardwood		-40 Steel Ladder
	-9 Steel Latch/Leg Frame		-41 Steel Ladder
	-10 Door Hinge		-42 Steel Ladder
	-11 Door/Drawer Pull		-43 Steel Ladder
	-12 Magnetic Catch		-44 Steel Ladder
	-13 Drawer		-45 Steel Ladder
	-14 Shelf Supports		-46 Steel Ladder
	-15 Countertop		-47 Steel Ladder
	-16 Solid-Surfacing Material		-48 Steel Ladder
071326	-1 Self-Adhering Sheet Waterproofing		-49 Steel Ladder
072100	-1 Foundation Wall or Under Slab Insulation (R-")		-50 Steel Ladder
	-2 Cavity Wall Insulation (R-")		-51 Steel Ladder
	-3 Building Insulation - Unfaced (R-")		-52 Steel Ladder
	-4 Building Insulation - Faced (R-")		-53 Steel Ladder
	-5 Sill Sealer		-54 Steel Ladder
	-6 Soffit Insulation		-55 Steel Ladder
072724	-1 Fluid-Resistant Membrane Air Barriers		-56 Steel Ladder
	-2 Metal Wall Panel - Fluted		-57 Steel Ladder
	-3 Metal Wall Panel - Flat		-58 Steel Ladder
	-4 Metal Soffit Panel		-59 Steel Ladder
	-5 Z-Furring (")		-60 Steel Ladder
	-6 Trim		-61 Steel Ladder
075276	-1 SBC-Modified Bituminous Membrane Roofing		-62 Steel Ladder
	-2 Roof Insulation - Flat		-63 Steel Ladder
	-3 Roof Insulation - Tapered		-64 Steel Ladder
	-4 Roof Expansion Joint		-65 Steel Ladder
	-5 Cant Strip		-66 Steel Ladder
	-6 Walkway Protection Board		-67 Steel Ladder
	-7 Substrate Board		-68 Steel Ladder
076100	-1 Sheet Metal Roofing		-69 Steel Ladder
	-2 Pre-finished Roof Edge		-70 Steel Ladder
	-3 Pre-finished Roof Edge		-71 Steel Ladder
	-4 Sheet Metal Roof		-72 Steel Ladder
	-5 Sheet Metal Gutter		-73 Steel Ladder
	-6 Sheet Metal Downspout		-74 Steel Ladder
	-7 Sheet Metal Scupper		-75 Steel Ladder
076200	-1 Penetration Firestopping		-76 Steel Ladder
	-2 Sealant - Rake where required		-77 Steel Ladder
079200	-1 Joint Filler		-78 Steel Ladder
	-2 Gasket		-79 Steel Ladder
	-3 Gasket		-80 Steel Ladder
081113	-1 Steel Door		-81 Steel Ladder
	-2 Steel Frame		-82 Steel Ladder
	-3 Frame Anchor		-83 Steel Ladder
	-4 Louver		-84 Steel Ladder
	-5 Proster Guard		-85 Steel Ladder
081416	-1 Flush Wood Door		-86 Steel Ladder
8322	-1 Steel Detention Door		-87 Steel Ladder
	-2 Steel Detention Frame		-88 Steel Ladder
083113	-1 Access Door		-89 Steel Ladder
	-2 Access Door Frame		-90 Steel Ladder
083323	-1 Overhead Ceiling Door		-91 Steel Ladder
	-2 Ceiling Counter Door		-92 Steel Ladder
083613	-1 Sectional Overhead Door		-93 Steel Ladder
	-2 Sectional Overhead Door Track		-94 Steel Ladder
	-3 Weatherstripping		-95 Steel Ladder



REVISED BY: K. MORGAN
12/12/17
KANSAS DEPT. OF CORRECTIONS
714 SW JACKSON, STE. 300
TOPEKA, KANSAS 66603

AN ORIGINAL RECORD COPY OF THIS DRAWING IS ON FILE AND AVAILABLE FOR REVIEW AT THE OFFICE OF THE DIVISION OF FACILITIES MANAGEMENT

Date
November 3, 2009
Revised Date

Project Number

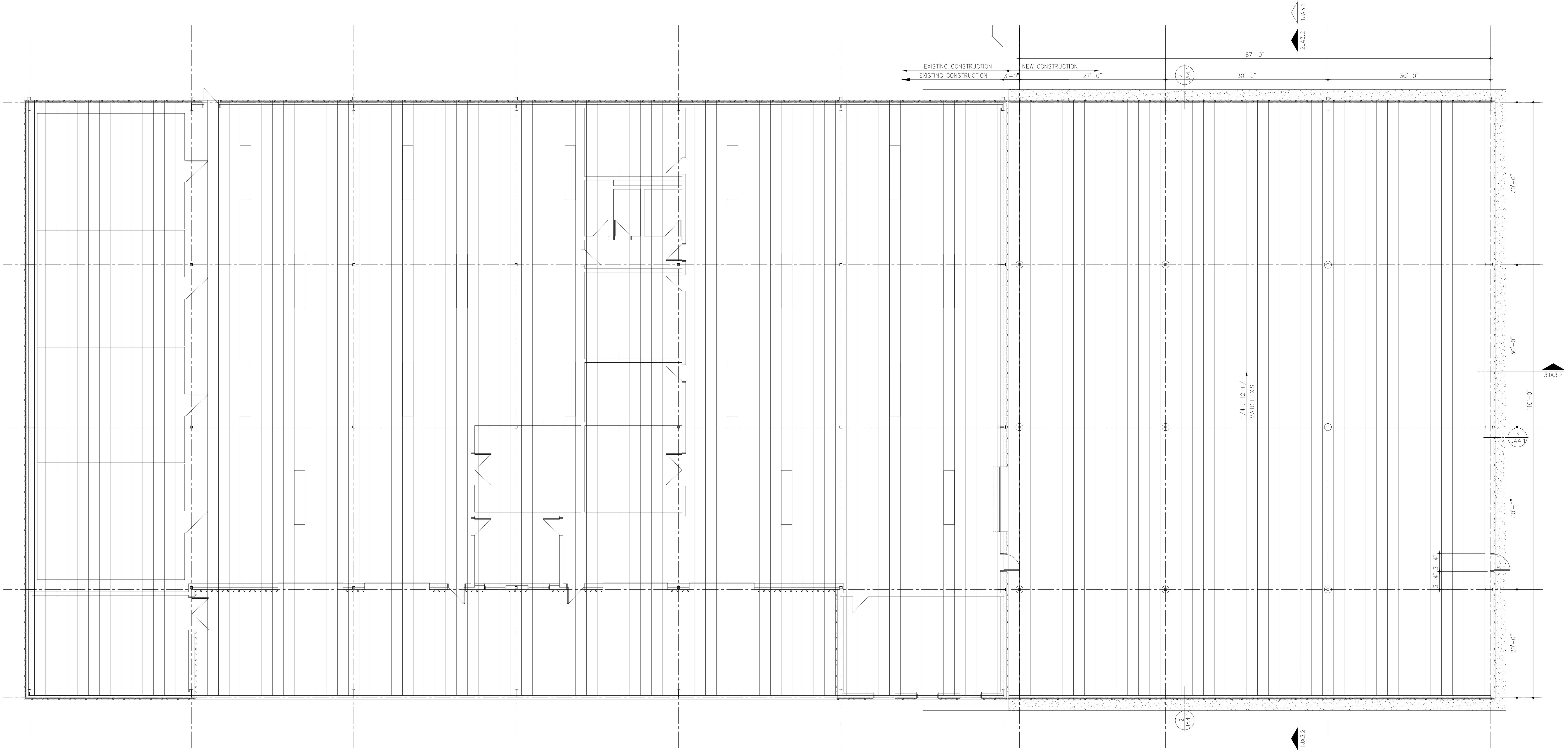
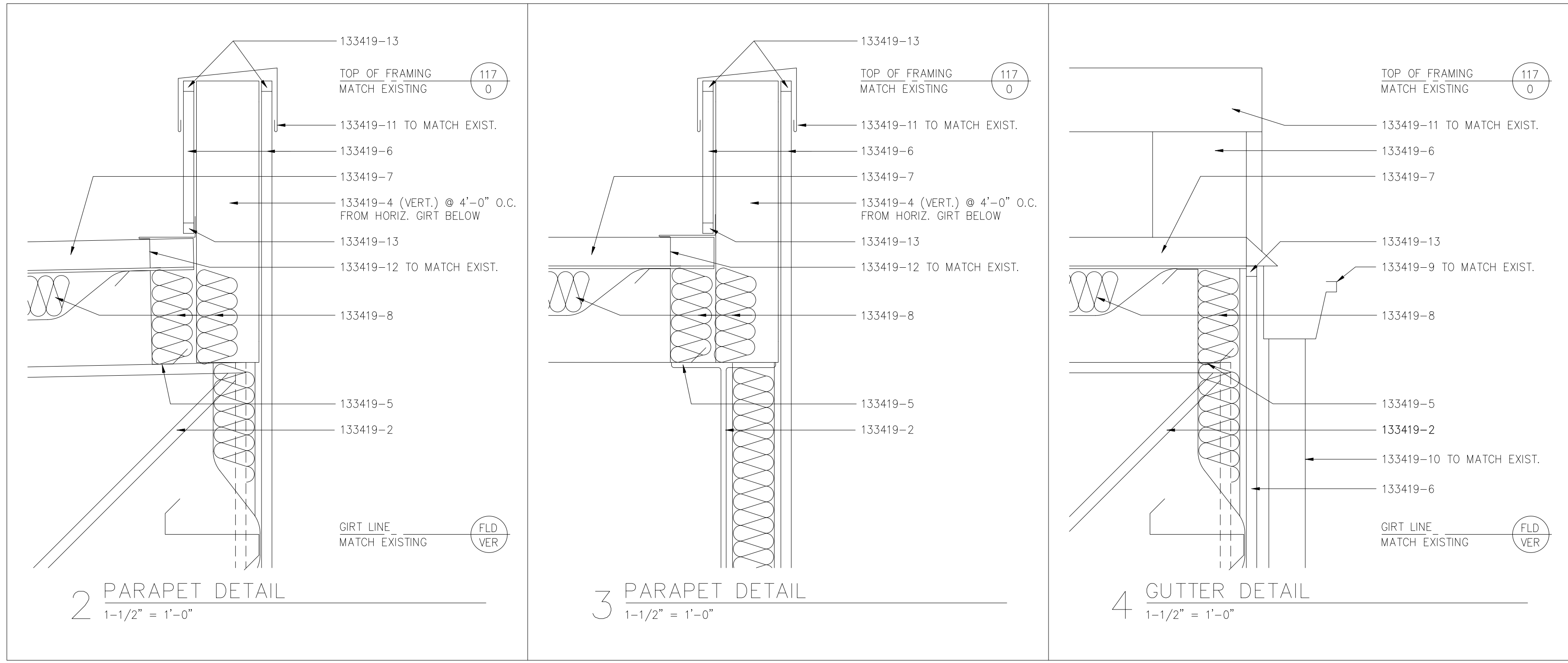
DEPARTMENT OF ADMINISTRATION
DIVISION OF FACILITIES & PROPERTY MANAGEMENT
DESIGN, CONSTRUCTION & COMPLIANCE
700 SW JACKSON, STE. 300
TOPEKA, KANSAS 66603
TELEPHONE: 785-296-8899

KANSAS DEPARTMENT OF CORRECTIONS
WAREHOUSE ADDITION
EL DORADO CORRECTIONAL FACILITY
El Dorado, KS
EDCF WAREHOUSE BLDG. J - 19600-00018
DRAWN BY: _____
CHECKED BY: _____
DATE: _____
REV: _____

SHEET CONTENTS
EDCF WAREHOUSE ADDITION - PHASE WALL SECTIONS

DFM # A-013429

JA3.2
ORIGINAL CONTRACT DOCUMENTS



1 ROOF PLAN
1/8" = 1'-0" NORTH



REVISED BY: K. MORGAN
12/12/17
KANSAS DEPT. OF CORRECTIONS
714 SW JACKSON, STE. 300
TOPEKA, KANSAS 66603

AN ORIGINAL RECORD COPY OF THIS DRAWING IS ON FILE AND AVAILABLE FOR REVIEW AT THE OFFICE OF THE DIVISION OF FACILITIES MANAGEMENT

Date
November 3, 2009

Revised Date

Project Number

DEPARTMENT OF ADMINISTRATION
DIVISION OF FACILITIES & PROPERTY MANAGEMENT
DESIGN, CONSTRUCTION & COMPLIANCE
709 SW JACKSON, STE. 1050
TOPEKA, KANSAS 66603
TELEPHONE 785-296-8899

KANSAS DEPARTMENT OF CORRECTIONS
WAREHOUSE ADDITION
EL DORADO CORRECTIONAL FACILITY
El Dorado, KS
EDCF WAREHOUSE BLDG. J - 195600-00018

DATE: _____ DRAWN BY: _____ CHECKED BY: _____ REV: _____

SHEET CONTENTS
EDCF WAREHOUSE ADDITION - PHASE 1
ROOF PLAN

DFM # A-013429

JA4.1

ORIGINAL CONTRACT DOCUMENTS